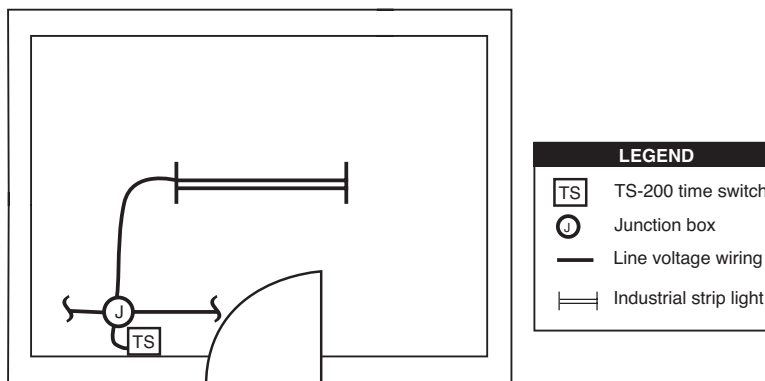


OF-UC1.0 Utility Closet: time switch

Control Needs	Solution	Application Description
Automatically turn lights OFF	Digital time switch (TS series)	Space use: Location of mechanical panels such as power, lighting, lighting control panels, and other electrical distribution equipment. Short-term occupancy patterns
Manual ON/Manual override OFF	Digital time switch (TS series)	Dimensions: 8' x 6' Ceiling height: 10' Windows: None Window blinds: None
		Lighting
		Ceiling mounted industrial fluorescent strip light, using two T8 lamps and 277 volt electronic ballasts.

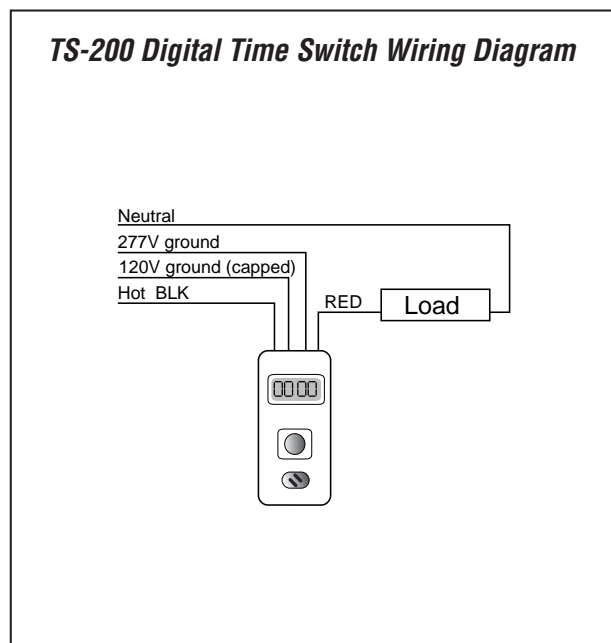
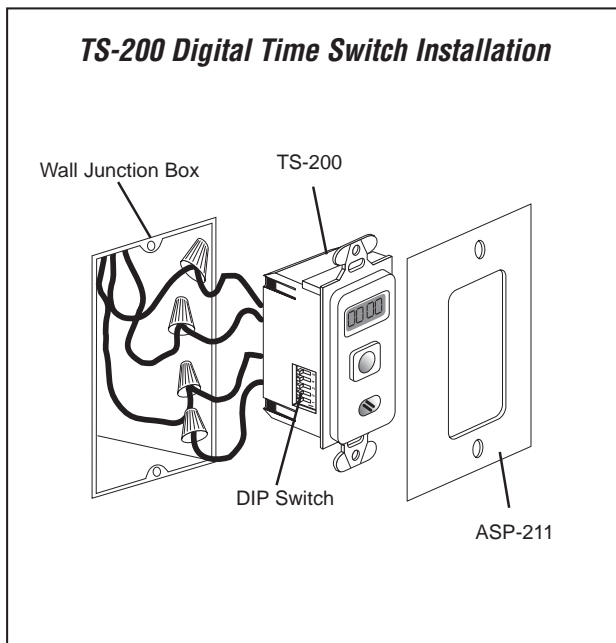
Design Considerations

The IntelliSwitch TS-200 Digital Time Switch is used in the utility closet for automatically turning lights off. In addition to closets, this strategy is appropriate for other rooms intermittently occupied such as mechanical rooms, electrical rooms, penthouses, and copy rooms. The TS-200 can be set to a 3 hour time out period which complies with ASHRAE 90.1-2001, and can be set to shorter time outs to comply with Title 24. The 1 minute flash and beep warnings allow time for the occupants to reset the switch before lights time out if the room is still occupied. Simply pushing the button will reset the timer to the preset time out setting.



OF-UC1.0 Installation Notes

1. Adjust the TS-200 time switch DIP settings for time-out period, time scrolling, flash and beeper options before installing the switch. Refer to installation instructions for details.
2. Time switch time-out is factory preset at 3 hours. The time-out setting should be set to allow for the completion of common tasks in the space. If complying with ASHRAE 90.1-1999 or 2001, the maximum allowable time-out setting is 4 hours. If complying with California Title 24, the maximum allowable time-out setting is 2 hours.
3. Time scrolling allows the user to manually and temporarily override the time-out periods. Scrolling is factory preset for scrolling "up" which means that the time-out setting will increase while the button is held down (this is the recommended setting for utility closets).
4. Confirm night light/egress lighting requirement with local code officials.



Equipment Schedule

Catalog No.	Qty	Description
TS-200	1	Digital time switch, 120/277 VAC, 60 Hz, with ASP-211 single gang cover plate