

CN, CW Residential Vacancy Sensors

2005 California Title 24 compliant

Manual ON/automatic OFF operation; lights cannot be overridden ON

Impact resistant lens

Adjustable time delay from 1 to 30 minutes

CN contains energy efficient nightlight that illuminates whenever overhead lights are off

Terminal wiring for quick and easy installation



PROJECT

LOCATION/TYPE

Product Overview

Description

The CN and CW Vacancy Sensors are wall switch replacements for residential use. The switches are designed to comply with California Title 24-2005 residential energy code.

Operation

The vacancy sensors use passive infrared (PIR) technology to detect when a space becomes vacant. The switch operates by sensing the difference between infrared energy from a human being in motion and the background space. The switches provide manual-ON operation. Users can manually turn lights on or off at any time by operating the on/off button. The sensors automatically turn lights off after a space becomes vacant and a preset time delay elapses. The CN incorporates a nightlight that illuminates whenever lights are off. The nightlight uses LED technology which consumes only a marginal amount of energy.

Energy Codes

The California Title 24 2005 residential energy code mandates: lighting in homes needs to be high efficacy or must be controlled with a manual-ON occupancy sensor, such as a Watt Stopper Vacancy Sensor (or a dimmer in some spaces – see chart on back). Sensors must have the following characteristics: operation must be manual ON/automatic OFF, time delay cannot exceed 30 minutes, and there can be no capability for permanently overriding the lights on.

Applications

The CN-100 and CW-100 are designed for residential use. Many spaces throughout the home are ideally suited to sensor use. These include the CW in hallways, laundry rooms and garages. The CN, with its built-in nightlight, fits well in bathrooms and bedrooms. The sensors are not for use in 3-way applications.

The sensors are quick and easy to install and will help homeowners not only comply with Title 24 but will also lower their energy bills.

Features

- Manual ON/automatic OFF operation (with no ON override)
- Convenient and simple pushbutton programming
- Zero crossing circuitry reduces stress on the relay and results in increased sensor life
- Adjustable time delay from 1 to 30 minutes
- CN-100's amber LED nightlight illuminates whenever overhead lights are off
- Energy efficient, super-bright LED saves energy and enhances occupant comfort
- Installer-friendly terminal wiring eliminates the need for twist connectors, making installation quicker and easier
- Impact resistant hard lens and tamper resistant design helps resist impact and prying fingers
- For safety, no leakage to load in the OFF mode



legrand

www.wattstopper.com
800.879.8585

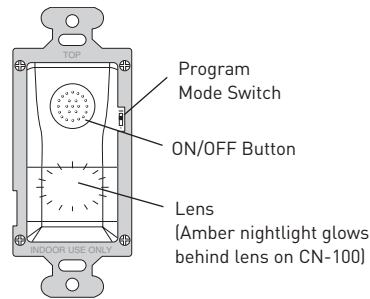
CN, CW Technical Information

Specifications

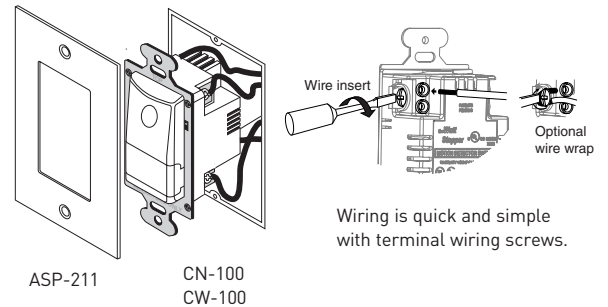
- 120 VAC, 60 Hz
- Coverage of 180°, maximum 300 ft² (27.9 m²)
- Compatible with 0-500W incandescent, fluorescent, compact fluorescent, MLV, and ELV
- Adjustable time delay of 1 to 30 minutes
- 1.0 mm hard, poly IR 2 lens; 2 level lens for superior small movement detection
- Dimensions: 2.63" x 1.69" x 1.88" (66.8mm x 42.9mm x 47.8mm) L x W x D
- Five year warranty; UL and CUL listed

Controls & Installation

Product Controls

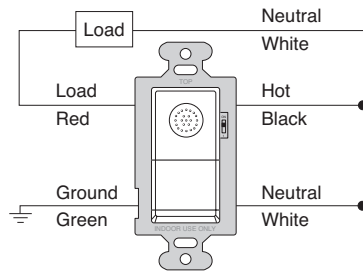


Installation & Wire Connections



Wiring & Programming

Wiring Diagram



Programming

Flashes

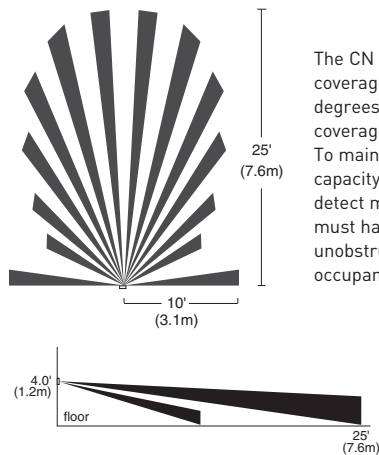
- ◊
 - ◊◊
 - ◊◊◊
 - ◊◊◊◊
 - ◊◊◊◊◊
 - ◊◊◊◊◊◊
- * Factory default

Time Delay

- 1 minute
- 5 minutes
- 10 minutes
- 15 minutes*
- 20 minutes
- 30 minutes

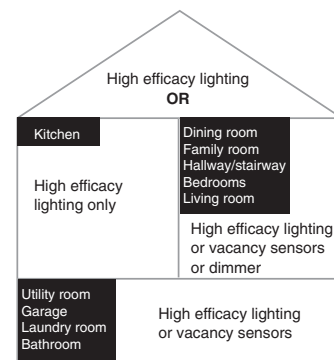
The time delay for the CN and CW is made via simple push button programming. In Program Mode, the LED (behind the lens) flashes to indicate the time delay setting.

Coverage



The CN and CW have a coverage range of 180 degrees and a maximum coverage area of 300 ft². To maintain its coverage capacity and optimally detect motion, the sensor must have a clear and unobstructed view of occupants.

California Title 24 2005 Residential Code



The new California Title 24 energy code mandates the use of high efficacy lighting or controls, such as the vacancy sensor, as shown.

Ordering Information

Catalog No.	Color	Voltage	Load Requirement	Coverage	Feature
<input type="checkbox"/> CN-100-W	White	120 VAC; 60 Hz	0-500W incandescent, fluorescent, compact fluorescent, MLV & ELV	180°; up to 300 ft ² (27.9 m ²)	Nightlight
<input type="checkbox"/> CN-100-I	Ivory				
<input type="checkbox"/> CN-100-A	Lt. Almond				
<input type="checkbox"/> CW-100-W	White				
<input type="checkbox"/> CW-100-I	Ivory				
<input type="checkbox"/> CW-100-A	Lt. Almond				

One ASP-211 single-gang cover plate included. Order ASP-422 for blank 2-gang cover plate, ASP-432 for 2-gang cover plate with switch option (specify color).