

# LMRC-CA

Digital Lighting Management

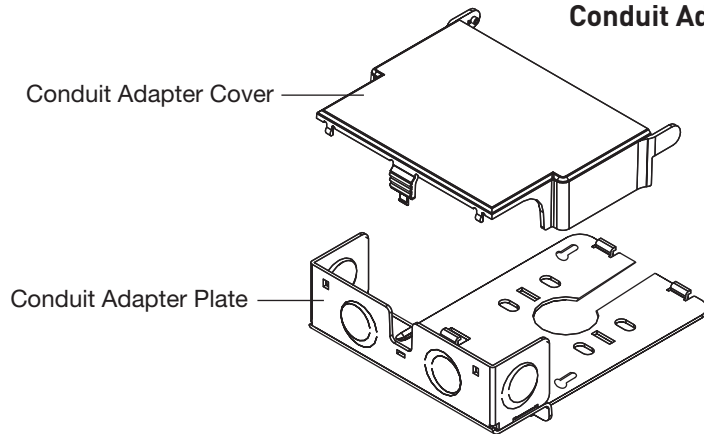
## Conduit Adapter

### DESCRIPTION

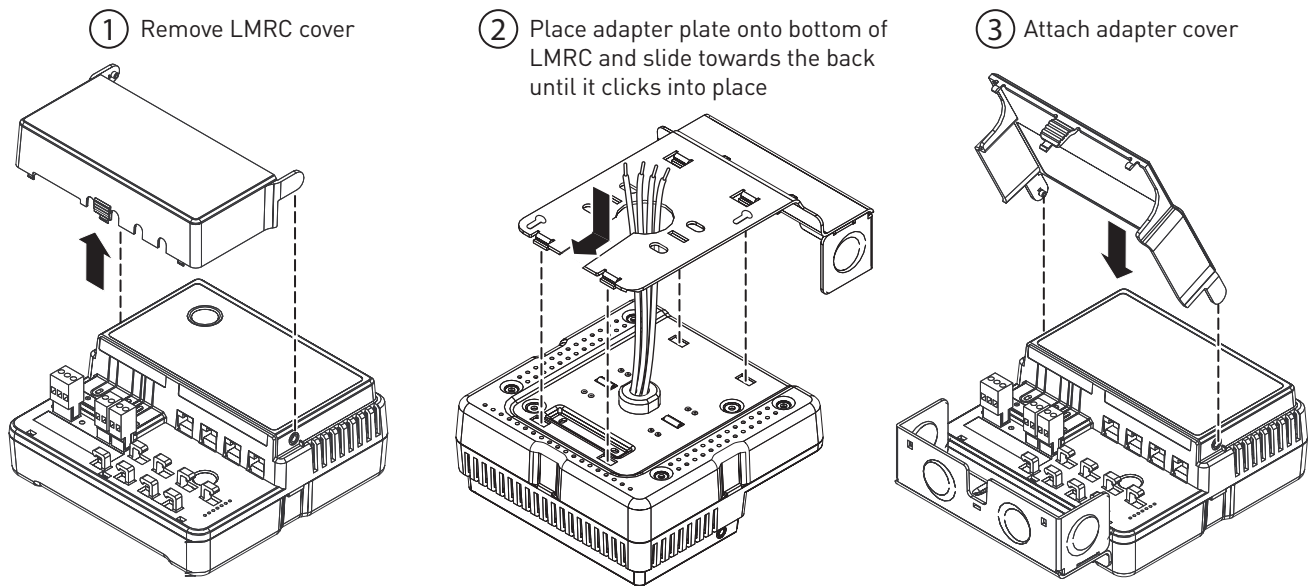
The LMRC-CA assembly provides protection and conduit connection points for the low-voltage area of the LMRC-21x and LMRC-31x room controllers. It is designed for applications where code or the local AHJ requires that low-voltage wiring such as DLM Local Network cables, control and communication wiring be run inside conduit.

**ATTENTION:** This conduit adapter is provided with an earthing conductor. Proper grounding of this conduit adapter shall be in accordance with all applicable regulations, local and NEC codes.

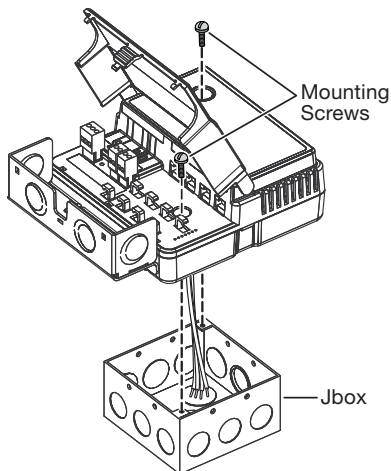
For complete installation and operation of the room controller, see the instructions provided with the unit.



### ASSEMBLY



### MOUNTING



### CABLING

