

RS Series Passive Infrared (PIR) Application-Specific Wall Switch Occupancy Sensors

Application-specific wall switch sensor requires no adjustment

Fixed five-minute time delay



Lighted switch for visibility in darkened rooms

Ideal for closets and small storage utility rooms

Automatic-on operation

PROJECT

LOCATION/TYPE

Product Overview

Description

Watt Stopper/Legrand's RS Series PIR Application-Specific Wall Switch Occupancy Sensors replace standard wall switches throughout the home to automatically turn lights on when occupancy is detected. The sensors are engineered to perform without the need for adjustment when used in recommended applications.

Operation

RS Series Application-Specific Wall Switch Occupancy Sensors use advanced PIR technology to detect occupancy and turn lights on. Once a space is vacated and the five-minute time delay elapses, lights automatically turn off. Users may turn lights on or off manually at any time by pressing the on/off button. When lights are off, the on/off button of RS Series Sensors is illuminated. While lights are on, RS Series Sensors are not illuminated.

Low-profile Styling

The RS Series Application-Specific Wall Switch Occupancy Sensors feature a low-profile decorator design for a sleek appearance in any application. The lens and device is uniform and color matched for an unobtrusive appearance.

Applications

With a fixed five-minute time delay, RS Series Application Specific Wall Switch Occupancy Sensors are suitable for use in closets and small storage/utility rooms throughout the home.

Features

- Replaces standard light or fan single-pole switches
- Automatic-on operation
- Lighted switch for visibility in darkened rooms
- Fixed five-minute time delay
- Low-profile styling with uniform, color-matched lens and device
- With the RS-150U option, no leakage to load in off mode for safety
- Models available with or without neutral connection
- Choice of four decorator colors
- Works with most common residential lighting types

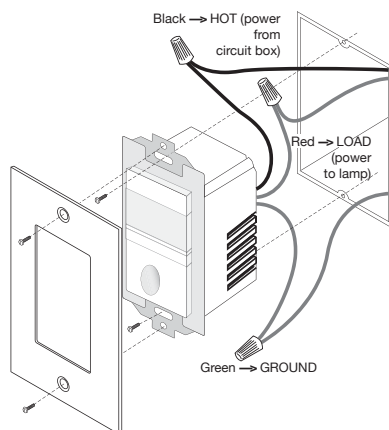


Specifications

- 120 VAC, 60 Hz
- Load requirements: RS-100U, 25-500W incandescent; RS-150U, 0-600W incandescent, fluorescent, compact fluorescent (CFL), magnetic low voltage (MLV), electronic low voltage (ELV), and 1/6 hp loads
- Neutral required (RS-150U)
- Coverage: 180°, max.600 ft² (56m²)
- 2.63" x 1.69" x 1.88" (67.8mm x 42.9mm x 47.8mm) L x W x D
- UL and CUL listed; five-year warranty

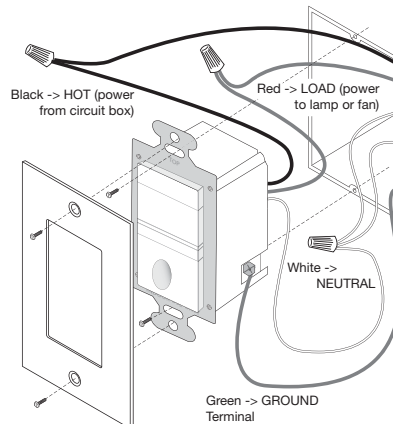
Installation & Wiring

Wiring Without Neutral



Wiring for the RS-100U does not require a neutral.

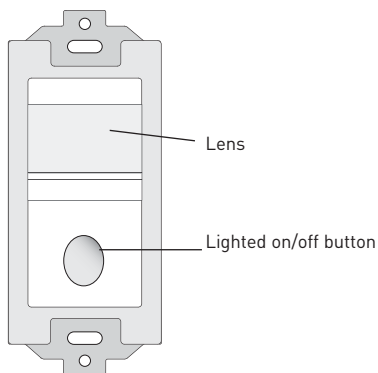
Wiring With Neutral



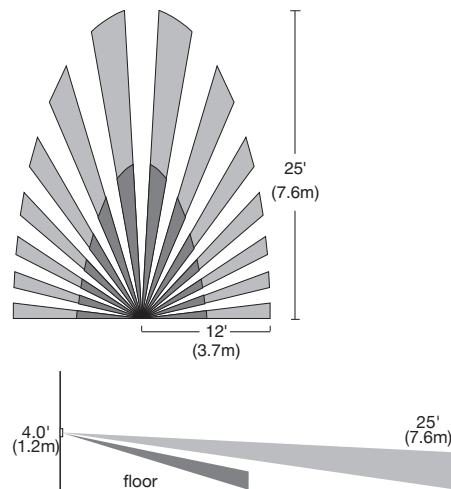
Wiring for the RS-150U requires a neutral.

Controls & Coverage

Controls



Coverage



Ordering Information

Catalog No.	Color	Voltage	Load Requirement	Coverage
<input type="checkbox"/> RS-100U-W	White	120 VAC, 60 Hz	25-500W incandescent	180°, max.600 ft ² (56m ²)
<input type="checkbox"/> RS-100U-I	Ivory			
<input type="checkbox"/> RS-100U-LA	Lt. Almond			
<input type="checkbox"/> RS-100U-B	Black			
<input type="checkbox"/> RS-150U-W	White		0-600W incandescent, fluorescent, CFL, MLV, ELV, 1/6 hp	
<input type="checkbox"/> RS-150U-I	Ivory			
<input type="checkbox"/> RS-150U-LA	Lt. Almond			
<input type="checkbox"/> RS-150U-B	Black			

One ASP-211 Single-gang Decorator Cover Plate included. Order ASP-422 for Two-gang Decorator Cover Plate with Blank Option, or ASP-432 for Two-gang Decorator Cover Plate with Toggle Switch Option.