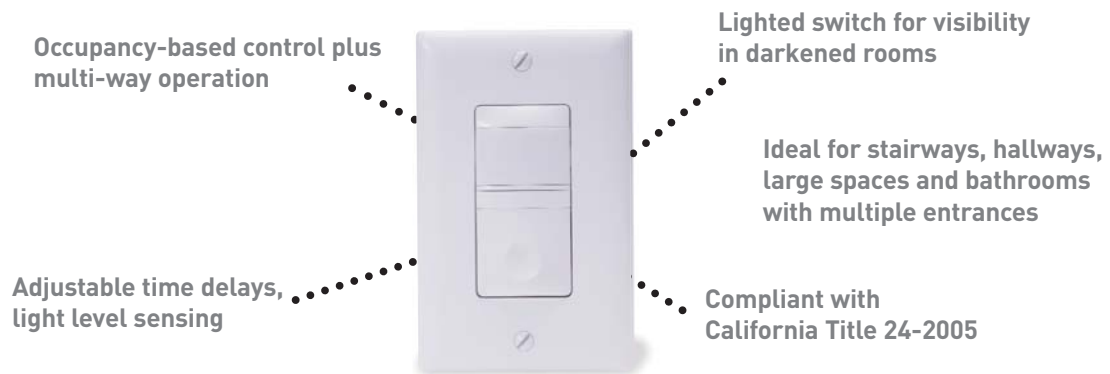




RH-200 Passive Infrared (PIR) Multi-Way Wall Switch Vacancy Sensor



Product Overview

Description

The RH-200 Multi-way Vacancy Sensor offers automatic lighting shutoff as well as multi-way control for special applications in the home.

Operation

The RH-200 employs advanced PIR technology to sense the difference between infrared energy from a person in motion and the background space. When set to operate in Manual-ON mode, the factory setting, users must press the push-button to turn lighting on. This setting may be changed to utilize Automatic-ON operation when desired.

Multi-Way Operation

While providing secured and enhanced coverage, two or more RH-200s connected together allow true multi-way ON/OFF control. When connected in Manual-ON mode, an occupant entering the controlled area must press the ON/OFF button of any connected switch to turn the load ON. If operating in Automatic-ON mode, any occupancy detection

Features

- Occupancy-based control plus multi-way operation
- Two or more RH-200's connected together will allow enhanced coverage of the controlled space
- Low-profile styling with uniform, color-matched lens and device
- Choice of three decorator colors
- Lighted switch for visibility in darkened rooms
- Manual- or Automatic-ON operation
- Works with most common residential lighting types
- Relay-based switching
- No leakage to load in OFF mode for safety
- Adjustable time delay from 15 seconds to 30 minutes
- Light level sensing prevents automatic ON of lights when adequate daylight exists
- Replaces three-way or four-way switches when used with other RH-200's

PROJECT
LOCATION/TYPE

Multi-Way Operation (continued)

from the connected RH-200's will automatically turn the lights on. Lights will remain on as long as any of the connected RH-200's continue to detect occupancy. Regardless of operating mode, an occupant may manually turn the load OFF by pressing the push-button. If the room becomes vacant and lights are left on, the last RH-200 to detect occupancy will dictate when the lights will turn off after the predetermined time delay has elapsed.

Applications

The RH-200 has the flexibility to work in a variety of applications including hallways, stairways, bathrooms, living and dining rooms and other areas with multiple entries. In addition, the RH-200 is the only vacancy sensor that allows true multi-way operation with automatic on/off control.

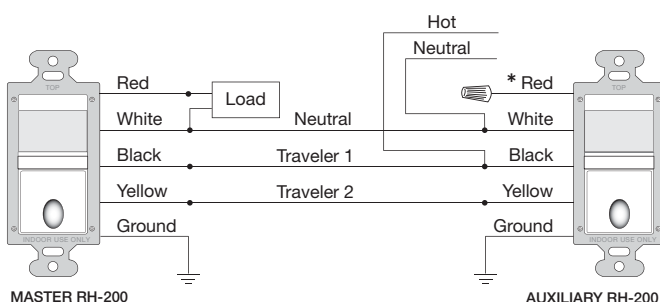


Specifications

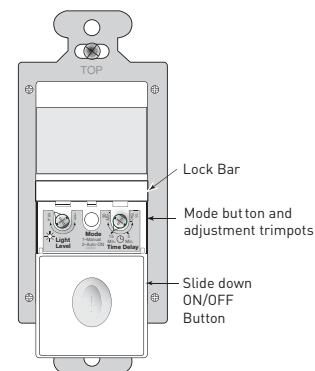
- 120 VAC, 60 Hz
- Coverage: 180°, 600 ft² (56 m²)
- Operates incandescent, fluorescent, compact fluorescent (CFL), magnetic low voltage (MLV), electronic low voltage (ELV), and 1/6 hp loads
- Adjustable time delay of 15 seconds, or of five, 15 or 30 minutes
- Adjustable light level setting of 10 to 150 fc (100 to 1500 lux)
- Dimensions: 2.8" x 4.8" x 1.5" (71.1mm x 121.9mm x 38.1mm)
- UL and CUL listed; five-year warranty

Wiring Diagrams & Controls

Wiring for 3-Way Operation



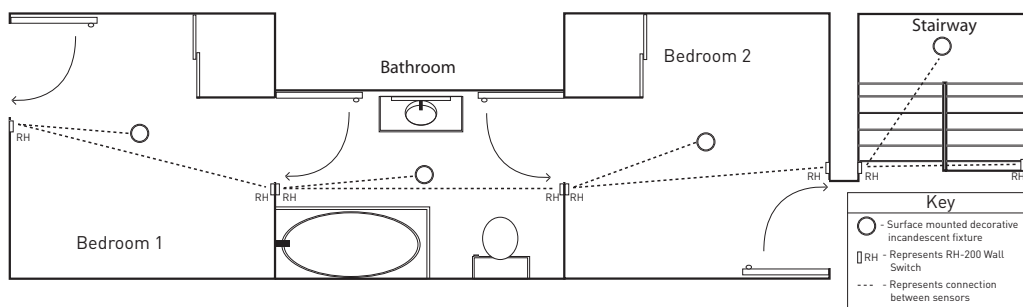
Controls



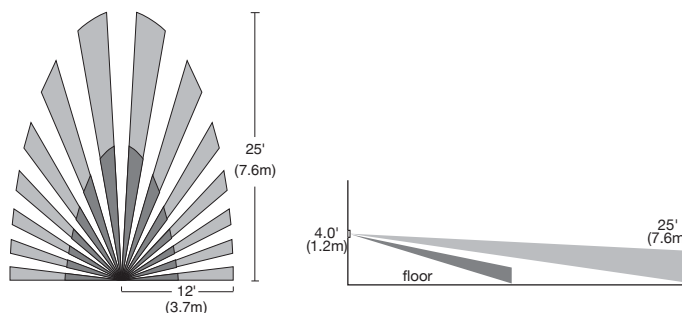
* each RH-200 connected is capable of controlling one independent load wired to its own red wire. For advanced wiring options contact Watt Stopper/Legrand's technical support team.

Applications

RH-200 Bedroom, Jack & Jill Bathroom, and Stairway Applications



Coverage



Ordering Information

Catalog No.	Color	Special Feature	Voltage	Load Requirement	Coverage
<input type="checkbox"/> RH-200-W	White	Single Pole, 3-way, 4-way, multi-way operation	120 VAC, 60 Hz	0-600W incandescent, fluorescent, CFL, MLV, ELV, 1/6 hp	180°, max. 600 ft ² (56m ²)
<input type="checkbox"/> RH-200-I	Ivory				
<input type="checkbox"/> RH-200-LA	Light Almond				
<input type="checkbox"/> RH-200-B	Black				

Order ASP-121 for blank cover plate for 2-gang box; Order ASP-122 for cover plate for 2-gang box with switch option.